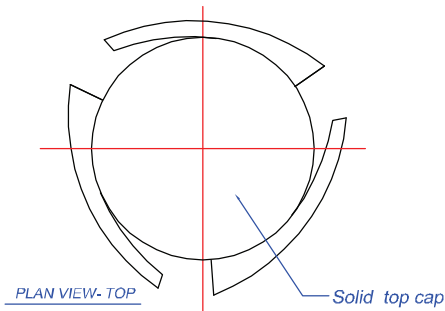




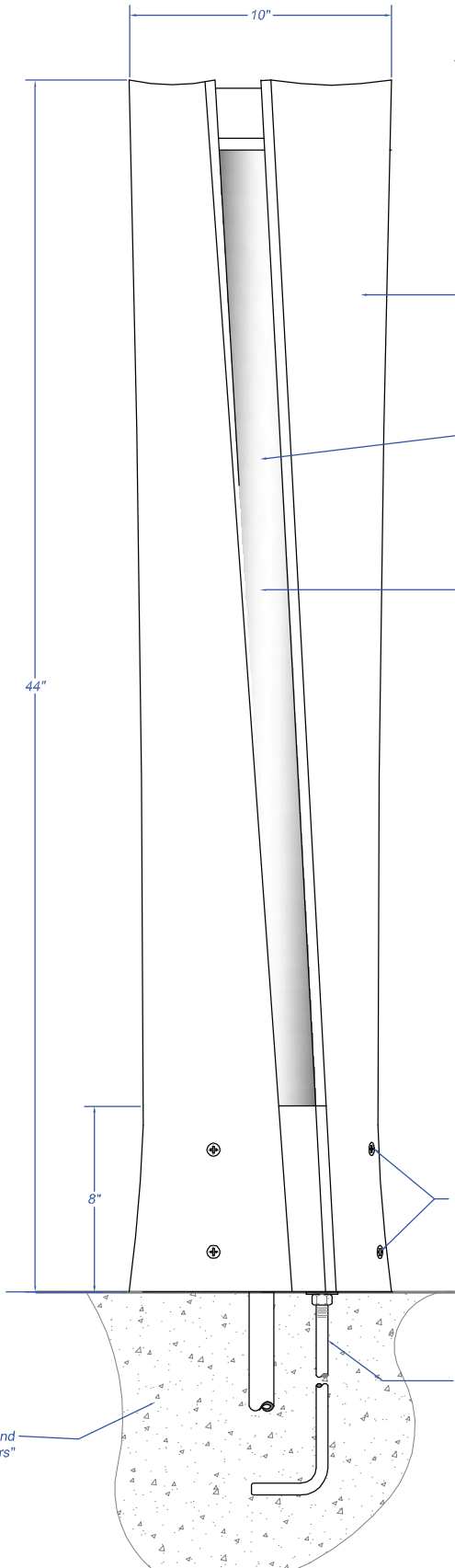
Bieber Illumination Group

Revolve Bollard



LED specifications:

UNIVERSAL LED, UL listed LED modules and drivers, combined with a vertical heat sink and into one configurable unit which gives precise light distribution. It allows us to offer lumen adjustment on light output. The module achieves 100-110 lm/w efficacy. Beside maximizing heat dissipation surface, we also utilize convection-based heat management which creates additional air flow around the strips. Unlike a big metal heat sink where the temperature for the chips in the middle is higher than the rest, the heat of each of our modules gets dissipated evenly. This innovative heat dissipation design keeps the junction temperature low and ultimately prolongs the life of the LED strips. Our modules are covered by our standard 5 year warranty and are available in many of our fixtures designs. The drivers are dimmable 0-10v.

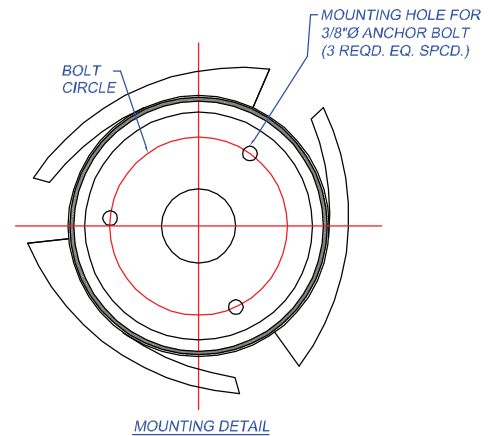
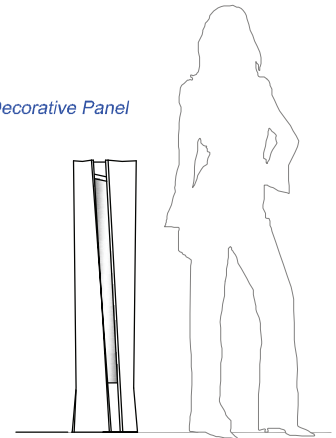


To order in 24w. LED, please specify the following catalog number:
 REV-10-24w. LED-4K-120/277v-color-w/ extra heavy duty cast aluminum base plate and 8" tall sub structure for added strength.

Cast Aluminum "Slightly Twisted" Decorative Panel (3 Required)

Acrylic Cylindrical lens Finish: White

Light Source:
 LED Strip :
 aligned behind each lens opening
 Top to Bottom (3 Required)



Torx Head "Tamper-Proof" Screws (6 Required)

3/8"Ø X 12" Galvanized Steel Anchor Bolt (3 Required)

Concrete Footing Designed and Provided by others"