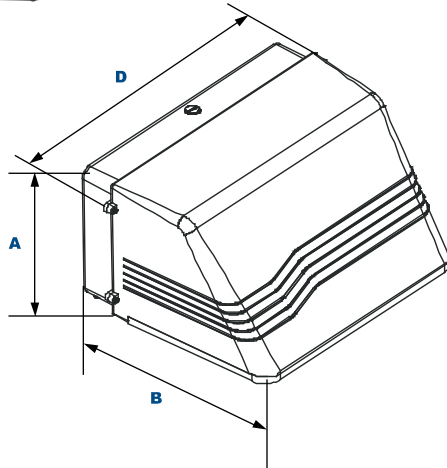


# WPC20Q

**L70**  
25°C

**201,000 Hours**

## EasyLED Constellation Large Full Cutoff Wall Pack



### Dimensions

<b>Width (D)</b>	18 1/4" (464mm)
<b>Length (B)</b>	13 3/4" (349mm)
<b>Height (A)</b>	9 1/4" (232mm)

### Order Information Example:

WPC20QC1X56U5KCZSP

WPC20Q		1X56					
Model	Optics	Wattage	Driver	CCT	Lens	Color	Options
WPC20Q=EasyLED Constellation Large Full Cutoff Wall Pack	C=Type III F=Type V	1X56=56w	U=120-277V H=347/480V	4K=4000K 5K=5000K	C=Clear Flat Glass Lens, P=Clear Flat Prismatic Glass Lens*	Z=Bronze C=Custom (Consult Factory)	SF=Single Fuse DF=Double Fuse SP=Surge Protection PC1=Photocell, 120VAC PC2=Photocell, 250-305VAC

The Bieber WPC20Q cutoff wall pack luminaire is available with a choice of optical distributions designed to replace HID lighting systems 250w to 400 MH or HPS. Typical wall mounted lighting applications include retail centers, industrial parks, schools and universities, public transit and airports, office buildings and medical facilities. Mounting heights of 18 to 30 feet can be used based on light level and uniformity requirements.

### Specifications and Features:

#### Housing:

Die Cast Hinged and Gasketed Aluminum Front Frame and Housing with 1/2" Coin Plugs. Nickel-Plated Stainless Steel Hardware. Photocell Adaptable.

#### Finish:

Textured Architectural Bronze Powdercoat Finish Over a Chromate Conversion Coating. Custom Colors Available Upon Request.

#### Lens:

Tempered Clear Flat Glass Lens or Tempered Clear Flat Prismatic Glass Lens.

#### Mounting Options:

Cast-in Template for Mounting Directly Over a 4" Recessed Outlet Box, or Use 1/2" Surface Conduit.

#### EasyLED LED:

Aluminum Boards

#### Wattage:

Array: 55.8w, System: 63w  
(400w HID Equivalent)

#### Driver:

Electronic Driver, 120-277V, 50/60Hz or 347/480V, 50/60Hz; Dimmable Driver

#### Listing & Ratings:

CSA: Listed for Wet Locations.  
Operating Temperatures: -40°C to +40°C  
IP55

LM-79 Report Available on Select Models.

See Page 2 for Projected Lumen Maintenance Table.

5-Year Warranty.

### Project Information:

Project Name:	Fixture Type:
Complete Catalog #:	Date:
Comments:	

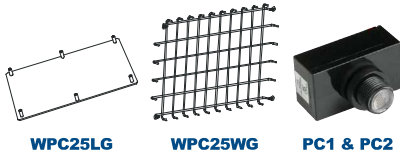
### Certification & Listings:



DesignLights Consortium™  
Qualified Luminaires:  
WPC20QC1X56U5KC\*\*  
WPC20QF1X56U5KC\*\*



### Accessories & Replacement Parts:



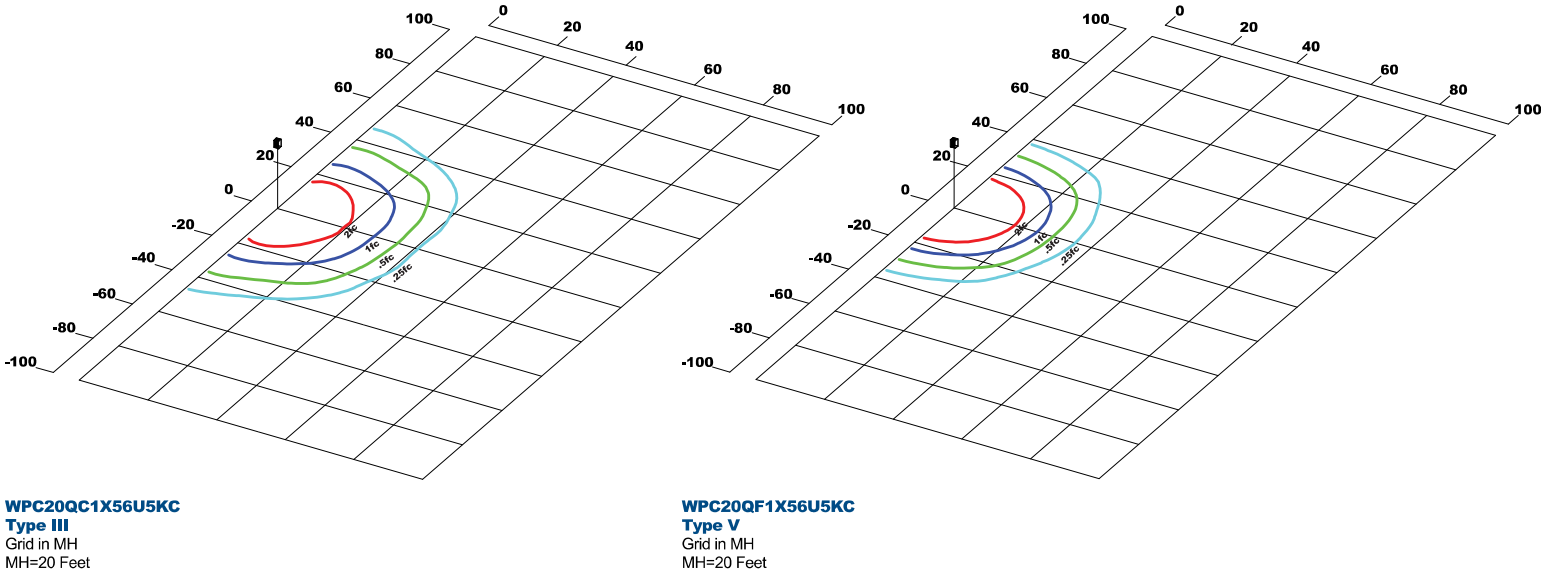
#### Accessories (Order separately, Field installed)

WPC25LG	Clear Polycarbonate Vandal Resistant Guard, Includes Hardware.
WPC25WG	Wire Guard, Stainless Steel Construction, Includes Hardware.

#### Replacement Parts (Order separately, Field installed)

WPC25GLC	Tempered Clear Flat Glass Lens.
WPC25GLP	Tempered Prismatic Flat Glass Lens.
PC1	120VAC, Photocell
PC2	250-305VAC, Photocell

### Photometric Data



### Photometric Performance

LED Board Watts	Drive Current (mA)	Input Watts	Optics	5000 CCT 80 CRI					4000 CCT 80 CRI				
				Lumens	LPW	B	U	G	Lumens	LPW	B	U	G
EasyLED 56w	525	63	Type III	5,895	94	2	2	2	5,659	90	1	2	1
			Type V	6,525	104	2	2	1	6,264	99	2	2	1

### Projected Lumen Maintenance

Data shown for 5000 CCT			Compare to MH				
TM-21-11	Input Watts	Initial	25,000 Hrs	50,000 Hrs	100,000 Hrs	Calculated L70@ 25°C	
L70 Lumen Maintenance @ 25°C / 77°F	63	1.00	0.96	0.93	0.85	201,000	
TM-21-11	Input Watts	Initial	25,000 Hrs	50,000 Hrs	100,000 Hrs	Calculated L70@ 50°C	
L70 Lumen Maintenance @ 50°C / 122°F	63	1.00	0.93	0.86	0.73	110,000	
TM-21-11	Input Watts	Initial	25,000 Hrs	50,000 Hrs	100,000 Hrs	Calculated L80@ 40°C	
L80 Lumen Maintenance @ 40°C / 104°F	63	1.00	0.94	0.88	0.77	86,000	

#### NOTES:

1. Projected per IESNA TM-21-11. Data references the extrapolated performance projections for the 525mA base model in a 25°C ambient, based on 10,000 hours of LED testing per IESNA LM-80-08.
2. Compare to MH box indicates suggested Light Loss Factor (LLF) to be used when comparing to Metal Halide (MH) systems.