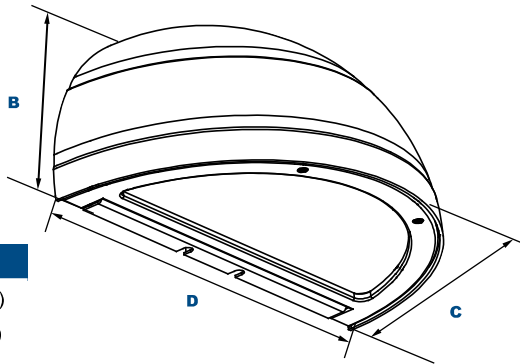


WPC36Q

EasyLED Orion Wall Pack

L70
25°C

393,000 Hours



Dimensions

Width (D)	18 1/8" (460mm)
Length (B)	9 1/16" (229mm)
Height (A)	9 3/16" (233mm)

The Bieber WPC36Q cut-off architectural wall luminaire is available with an IES Type III distribution designed to replace HID lighting systems from 150w to 250 MH or HPS. Typical wall mounted lighting applications include retail centers, industrial parks, schools and universities, public transit and airports, office buildings and medical facilities. Mounting heights of 12 to 20 feet can be used based on light level and uniformity requirements.

Specifications and Features:

Housing:

Die Cast Aluminum Housing with Full Cutoff Front Frame. Nickel-Plated Stainless Steel Hardware.

Finish:

Textured Architectural Bronze Powdercoat Finish Over a Chromate Conversion Coating. Custom Colors Available Upon Request.

Lens:

Tempered Clear Flat Glass Lens

Mounting Options:

Mount Directly Over a 4" Recessed Outlet Box, Includes Easy-Hang "Two Hands Free" Wall Mounting Bracket with Built-In Level.

EasyLED LED:

Aluminum Boards

Wattage:

Array: 46.5w, System: 52w
(250w HID Equivalent)

Driver:

Electronic Driver, 120-277V, 50/60Hz or 347/480V, 50/60Hz; Dimmable Driver

Listing & Ratings:

CSA: Listed for Wet Locations.
Meets Dark Sky Requirements.
Operating Temperatures: -40°C to +40°C
IP55 Sealed LED Compartment.

LM-79 Report Available on Select Models.

See Page 2 for Projected Lumen Maintenance Table.

5-Year Warranty.

Order Information Example:

WPC36QC1X47U5KCZSP

WPC36Q	C	1X47			C		
Model	Optics	Wattage	Driver	CCT	Lens	Color	Options
WPC36Q= EasyLED Orion Wall Sconce	C=Type III	1X47=47w	U=120-277V H=347/480V	4K=4000K 5K=5000K	C=Clear Flat Glass Lens	Z=Bronze C=Custom (Consult Factory)	SF=Single Fuse DF=Double Fuse SP=Surge Protection BU=Battery Backup, 90 Minutes

Project Information:

Project Name: _____ Fixture Type: _____
 Complete Catalog #: _____ Date: _____
 Comments: _____

Certification & Listings:



DesignLights Consortium™
Qualified Luminaires:
WPC36QC1X47U5KC**



Specifications subject to change without notice. Rev. 033117

Accessories & Replacement Parts:

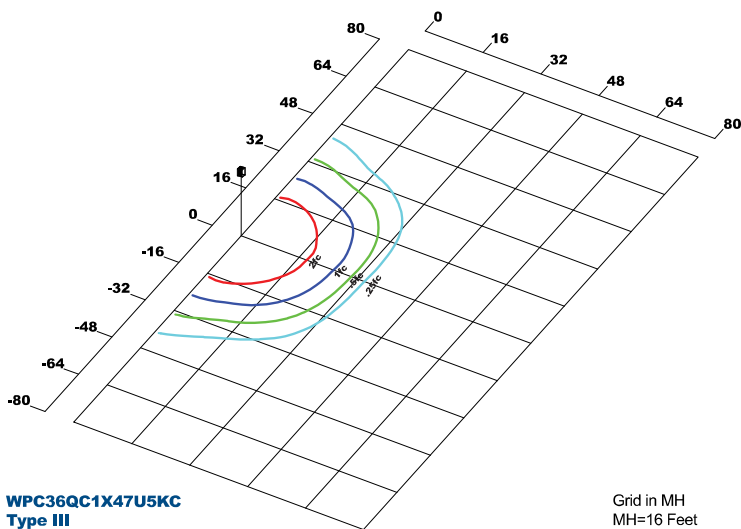


3EBL1202774500

Replacement Parts (Order separately, Field installed)

WPC36GLC	Tempered Clear Flat Glass Lens.
3EBL1202774500	Battery Backup, Provides 90 Minutes of Backup Power

Photometric Data



WPC36QC1X47U5KC
Type III

Grid in MH
MH=16 Feet

Photometric Performance

LED Board Watts	Drive Current (mA)	Input Watts	Optics	5000 CCT 80 CRI			4000 CCT 80 CRI		
				Lumens	LPW	B U G	Lumens	LPW	B U G
EasyLED 47w	525	52	Type III	5,042	97	1 1 1	4,613	89	1 1 1

Projected Lumen Maintenance

Data shown for 5000 CCT			Compare to MH			
TM-21-11	Input Watts	Initial	25,000 Hrs	50,000 Hrs	100,000 Hrs	Calculated L70@ 25°C
L70 Lumen Maintenance @ 25°C / 77°F	52	1.00	0.98	0.96	0.92	393,000
TM-21-11	Input Watts	Initial	25,000 Hrs	50,000 Hrs	100,000 Hrs	Calculated L70@ 50°C
L70 Lumen Maintenance @ 50°C / 122°F	52	1.00	0.97	0.93	0.86	219,000
TM-21-11	Input Watts	Initial	25,000 Hrs	50,000 Hrs	100,000 Hrs	Calculated L80@ 40°C
L80 Lumen Maintenance @ 40°C / 104°F	52	1.00	0.97	0.94	0.89	180,000

NOTES:

1. Projected per IESNA TM-21-11. Data references the extrapolated performance projections for the 525mA base model in a 25°C ambient, based on 10,000 hours of LED testing per IESNA LM-80-08.
2. Compare to MH box indicates suggested Light Loss Factor (LLF) to be used when comparing to Metal Halide (MH) systems.