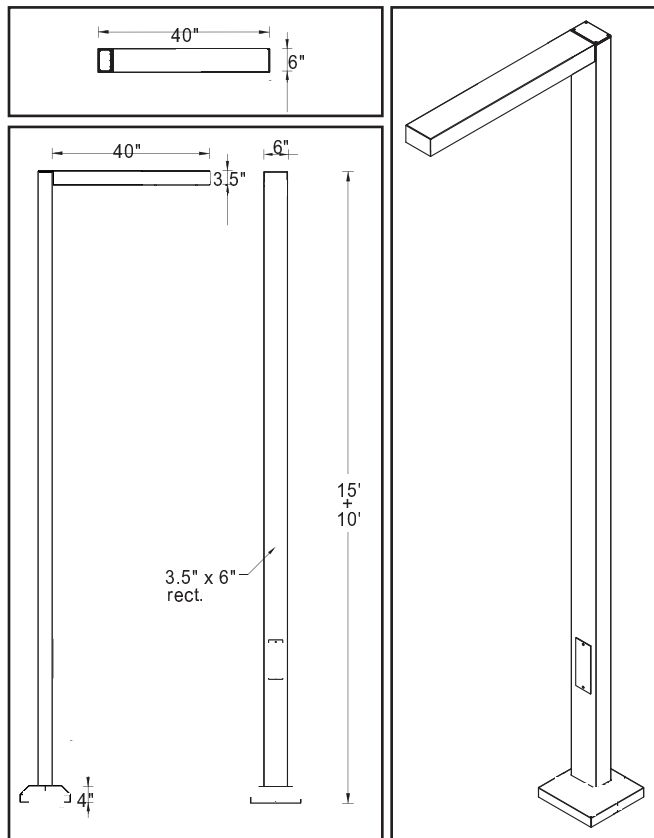


## Beeline Series



The Beeline series housing is a weather tight 2 piece aluminum unit .063" thick. It is continuous heliarc welded at all seams

EncapLED, an IP66-rated and ETL & DLC listed LED module, combines optics and heat sink into one configurable unit which give precise light distribution. It allows us to do 10w., 30w & 40w. increment adjustment on light output. The module achieves 110-120 lm/w efficacy with LUXEON Lumileds TX chips. Beside maximizing heat dissipation surface, we also utilize convection-based heat management which creates additional air flow around each chip. Unlike a big metal heat sink where the temperature for the chips in the middle is higher than the rest, the heat of each EncapLED chip gets dissipated evenly. This innovative heat dissipation design keeps the junction temperature low and ultimately prolongs the life of the LED chips. Our modules are covered by our standard 5 year warranty and are available in any of our fixtures designs, as well as in a simple retro-fit kit form for existing fixtures.