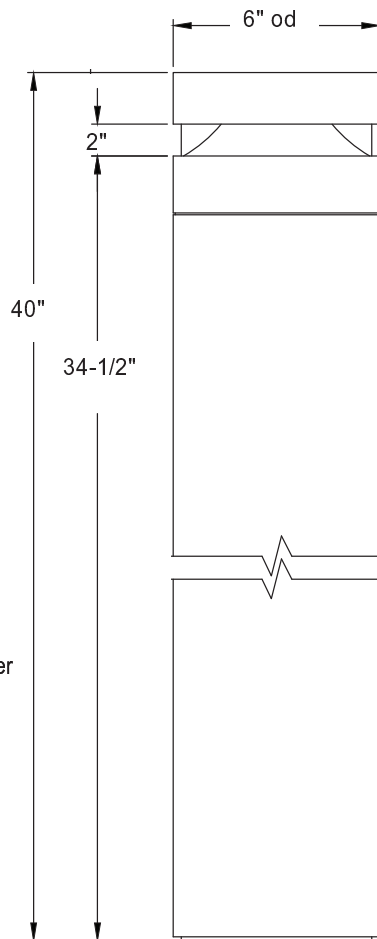
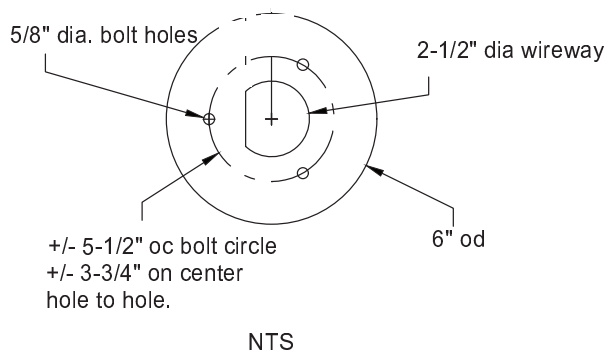


# Capricorn bollard



**Specifications:**

Housing: Round aluminum extruded aluminum, .125 thick. x 6"od.. 40" overall height or specify.  
 Top cap: Heavy-gauge spun aluminum.  
 Lens: 3/8" thick, clear, UV-stabilized high impact resistant acrylic. The lens is rabbeted for a flush fit, and silicone sealant creates a tight gasketing.  
 LED components: UNIVERSAL LED, UL listed LED modules and drivers, combined with a vertical heat sink and into one configurable unit which gives precise light distribution. In either a type III (180 deg) or V (360 deg) pattern. It allows us to offer lumen adjustment on light output. The module achieves 100-110 lm/w efficacy. Beside maximizing heat dissipation surface, we also utilize convection-based heat management which creates additional air flow around the strips. Unlike a big metal heat sink where the temperature for the chips in the middle is higher than the rest, the heat of each of our modules gets dissipated evenly. This innovative heat dissipation design keeps the junction temperature low and ultimately prolongs the life of the LED strips. Our modules are covered by our standard 5 year warranty and are available in many of our fixtures designs. The drivers are dimmable 0-10v. The 180deg. fixture is 10w. LED.  
 Optics: Heavy-gauge, polished, paracrine reflector. Low profile for a hidden light source and low glare  
 Mounting: Anchor base and bolts. Three (3) 3/8" x 12" hot dip galvanized anchor bolts are included, complete with (2) each, nuts and washers. The base plate is heavy duty cast aluminum.  
 Finish: Thermoset polyester oven-baked powder coat. Specify color.



To order, please specify the following catalog number:  
 CAP-10-10w. LED-4K-120/277v-color



**Bieber Illumination Group**

PO Box 49303 - Los Angeles, CA. 90040  
 310-451-5589 - [www.bieberillumination.com](http://www.bieberillumination.com)