

# Plaza Square



PFS80Q

**Housing:**

Die Cast Aluminum Housing, Integral Heat Sinking, Black Powdercoat Finish Over a Chromate Conversion Coating. Photocell Adaptable.

**Lens:**

Clear Prismatic Array Lens to Seal LED Array.

**Mounting:**

Accommodates 3" Tenons

**LumaFit LED:**

Array Lumens: 24,553

Delivered Lumens: 18,883

CRI: 80+

CCT: 5000K

Rated Life: 50,000 Hours

5-Year Warranty

Aluminum Boards

**Wattage:**

Array: 176w, System: 186w

**Driver:**

Electronic Driver, 120-277V, 50/60Hz

Dimmable Driver

**Listings & Ratings:**

IP67

Operating Temperatures: -40°C to +50°C

**Options:**

Surge Protection

**Reveal Square Post Top Area Light**

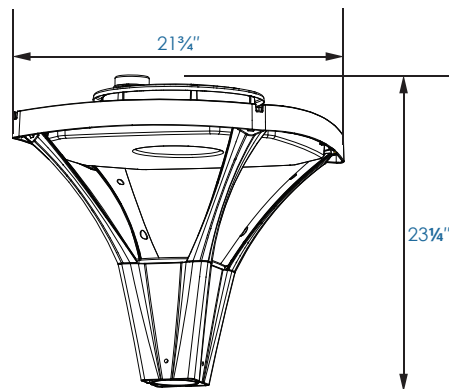
Catalog #		Description
<b>Complete Units</b>		
<b>Ordering Information</b>		
Example: PFS80QF1X176U5KCBSP		
<b>PFS80</b>	<b>Model:</b>	PFS80
<b>Q</b>	<b>LED Mfr:</b>	Q=QSSI
<b>F</b>	<b>Optics:</b>	F=Type V
<b>1X</b>	<b>Number of Arrays:</b>	1X=One
<b>176</b>	<b>Wattage:</b>	176=176w
<b>U</b>	<b>Ballast:</b>	U=120-277V
<b>5K</b>	<b>CCT:</b>	5K=5000K
<b>C</b>	<b>Lens:</b>	C=Clear Prismatic Array Lens
<b>B</b>	<b>Color:</b>	B=Black
<b>SP</b>	<b>Options:</b>	SF=Single Fuse, DF=Double Fuse, SP=Surge Protection

LD



PO Box 49303  
 Los Angeles, CA. 90049  
 310-451-5589  
 www.bieberillumination.com

**DIMENSIONS**



PFS80Q