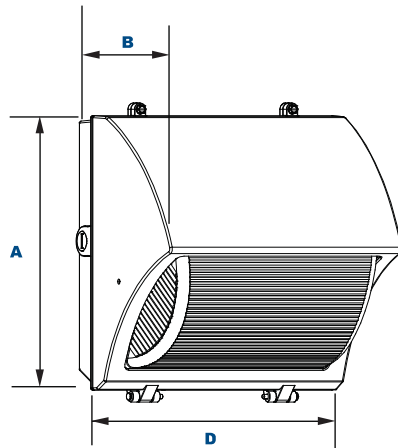


WPA15Q

EasyLED Small Accord Semi-Cutoff Wall Pack

L70
25°C

129,000 Hours



Dimensions

Width (D)	11 1/8" (283mm)
Length (B)	7 1/8" (200mm)
Height (A)	12" (305mm)

Order Information Example:

WPA15QF1X37U5KZSP

WPA15Q	F	1X37		5K		
Model	Optics	Wattage	Ballast	CCT	Color	Options

WPA15Q= EasyLED Small Accord Semi-Cutoff Wall Pack

F=Type IV

1X37=37w

U=120-277V
H=347/480V

5K=5000K

Z=Bronze
C=Custom (Consult Factory)

SF=Single Fuse
DF=Double Fuse
SP=Surge Protection
P10=Pencil Photocell, 120VAC
P12=Pencil Photocell, 208-277VAC
P20=Swivel Photocell, 120VAC
P22=Swivel Photocell, 208-277VAC
BU=Battery Backup, 90 Minutes

Project Information:

Project Name: _____ Fixture Type: _____
 Complete Catalog #: _____ Date: _____
 Comments: _____

Certification & Listings:



The QSSI WPA15Q semi cutoff wall pack luminaire provides lower direct glare while increasing efficiency over full cutoff optics, and is designed to replace HID lighting systems up to 175 MH or HPS. Typical wall mounted lighting applications include retail centers, industrial parks, schools and universities, public transit and airports, office buildings and medical facilities. Mounting heights of 12 to 18 feet can be used based on light level and uniformity requirements.

Specifications and Features:

Housing:

Die Cast Hinged and Gasketed Aluminum Front Frame and Housing with 1/2" Coin Plugs, Stainless Steel Hinge Pins, Safety Cable to Prevent Glass Impact During Installation, Nickel-Plated Stainless Steel Hardware.

Finish:

Textured Architectural Bronze Powdercoat Finish Over a Chromate Conversion Coating. Custom Colors Available Upon Request.

Lens:

Prismatic Borosilicate Glass Lens.

Mounting Options:

Cast-in Template for Mounting Directly Over a 4" Recessed Outlet Box, or Use 1/2" Surface Conduit.

EasyLED LED:

Aluminum Boards

Wattage:

Array: 37.2w, System: 44w (175w HID Equivalent)

Driver:

Electronic Driver, 120-277V, 50/60Hz or 347/480V, 50/60Hz; Dimmable Driver

Listing & Ratings:

CSA: Listed for Wet Locations.
Operating Temperatures: -40°C to +40°C
IP65

See Page 2 for Projected Lumen Maintenance Table.

5-Year Warranty.

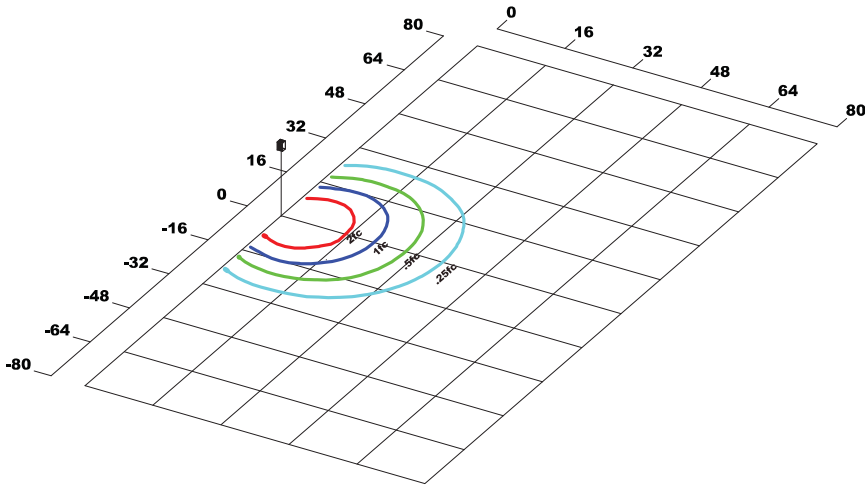
Accessories & Replacement Parts:



Accessories (Order separately, Field installed)	
WPA15WG	Wire Guard, Stainless Steel Construction, Includes Hardware.

Replacement Parts (Order separately, Field installed)	
P18110	110-130V, 120VAC Pencil Photocell
P18112	208-277V, 240VAC Pencil Photocell
P18120	110-130V, 120VAC Swivel Photocell
P18122	208-277V, 240VAC Swivel Photocell
3EBL1202774500	Battery Backup, Provides 90 Minutes of Backup Power.

Photometric Data



WPA15QF1X37U5K
Type IV
Grid in MH
MH=16 Feet

Photometric Performance

LED Board Watts	Drive Current (mA)	Input Watts	Optics	5000 CCT 80 CRI		
				Lumens	LPW	B U G
EasyLED 37w	116.5	44	Type IV	3,433	78	1 3 3

Projected Lumen Maintenance

Data shown for 5000 CCT			Compare to MH			
TM-21-11	Input Watts	Initial	25,000 Hrs	50,000 Hrs	100,000 Hrs	Calculated L70@ 25°C
L70 Lumen Maintenance @ 25°C / 77°F	44	1.00	0.94	0.88	0.77	129,000
TM-21-11	Input Watts	Initial	25,000 Hrs	50,000 Hrs	100,000 Hrs	Calculated L70@ 50°C
L70 Lumen Maintenance @ 50°C / 122°F	44	1.00	0.89	0.78	0.57	69,000
TM-21-11	Input Watts	Initial	25,000 Hrs	50,000 Hrs	100,000 Hrs	Calculated L70@ 50°C
L80 Lumen Maintenance @ 40°C / 104°F	44	1.00	0.91	0.82	0.65	57,000

NOTES:

1. Projected per IESNA TM-21-11. Data references the extrapolated performance projections for the 116.5mA base model in a 25°C ambient, based on 10,000 hours of LED testing per IESNA LM-80-08.
2. Compare to MH box indicates suggested Light Loss Factor (LLF) to be used when comparing to Metal Halide (MH) systems.