

**Bieber Illumination Group**  
**Center City Post Top**

**Specifications:**

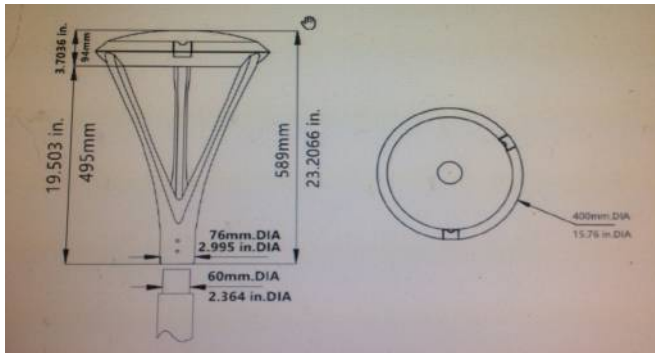
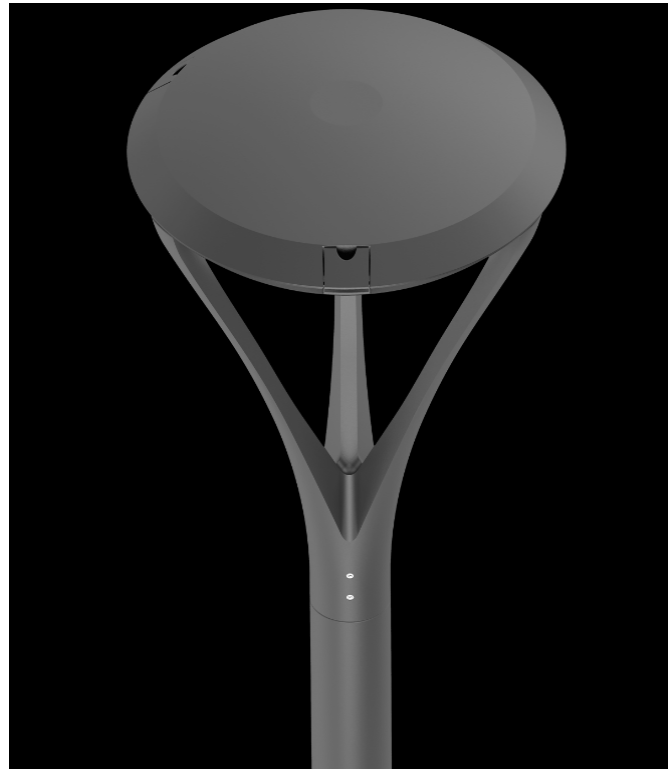
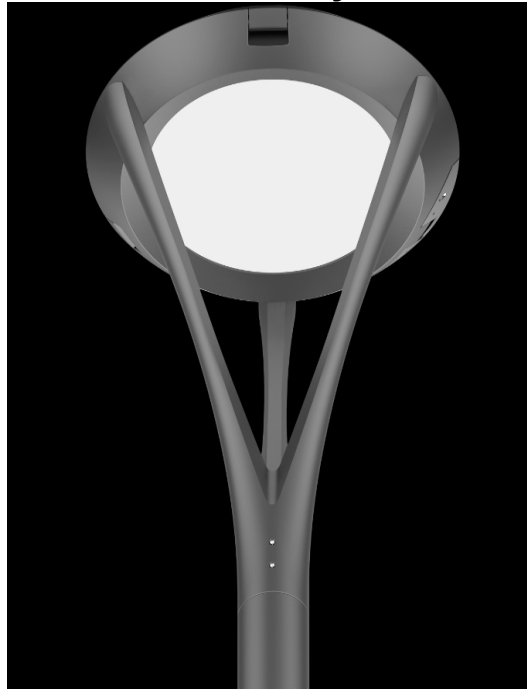
**Fixture Housing** - The Housing is ultra-thick, heavy duty cast aluminum  
**Size 10** = 15-3/4" dia. X 23-1/4" oa ht with **(3) 19-1/2" vertical mounting blades.**

**Lens** - Frosted,  
**Optics** -type II, III, IV & V  
**LED Components** - EncapLED, an IP66-rated and ETL & DLC listed LED module, combines optics and heat sink into one configurable unit which give precise light distribution. It allows us to do 10w., 30w & 40w. increment adjustment on light output. The module achieves 110-120 lm/w efficacy with LUXEON Lumileds TX chips. Beside maximizing heat dissipation surface, we also utilize convection-based heat management which creates additional air flow around each chip. Unlike a big metal heat sink where the temperature for the chips in the middle is higher than the rest, the heat of each EncapLED chip gets dissipated evenly. This innovative heat dissipation design keeps the junction temperature low and ultimately prolongs the life of the LED chips. Our modules are covered by our standard 5 year warranty and are available in any of our fixtures designs, as well as in a simple retro-fit kit form for existing fixtures.

**Finish** - Thermoset polyester oven-baked powder coat

**Available wattages:** 10, 20, 30, 40, 50, 60 & 80.

**Options:** Zigbee, DALI, Photocell, PIR sensor, smart control system, house side shield



To order or specify, please follow the following catalog number example to create the specific catalog number needed:  
**CCPT-10-wattage-voltage-kelvin temp-distribution pattern-color-options**

**Main Features:**

1. Tool-free maintenance, smooth surface to prevent dust, water and birds
2. Zigbee, DALI, Photocell, PIR Sensor, Timing programmable 3 steps dimmable etc. smart control system - optional
3. Soft, uniform, low glare Panel light source as well 6 types (Type II III IV V) of distribution curves.
4. IP66 ingress protection
- 5 Lifetime >100,000 hours - 5 year warranty.

**Bieber Illumination Group**

PO Box 49303 - Los Angeles, CA. 90049

310-451-5589 - [www.bieberillumination.com](http://www.bieberillumination.com)