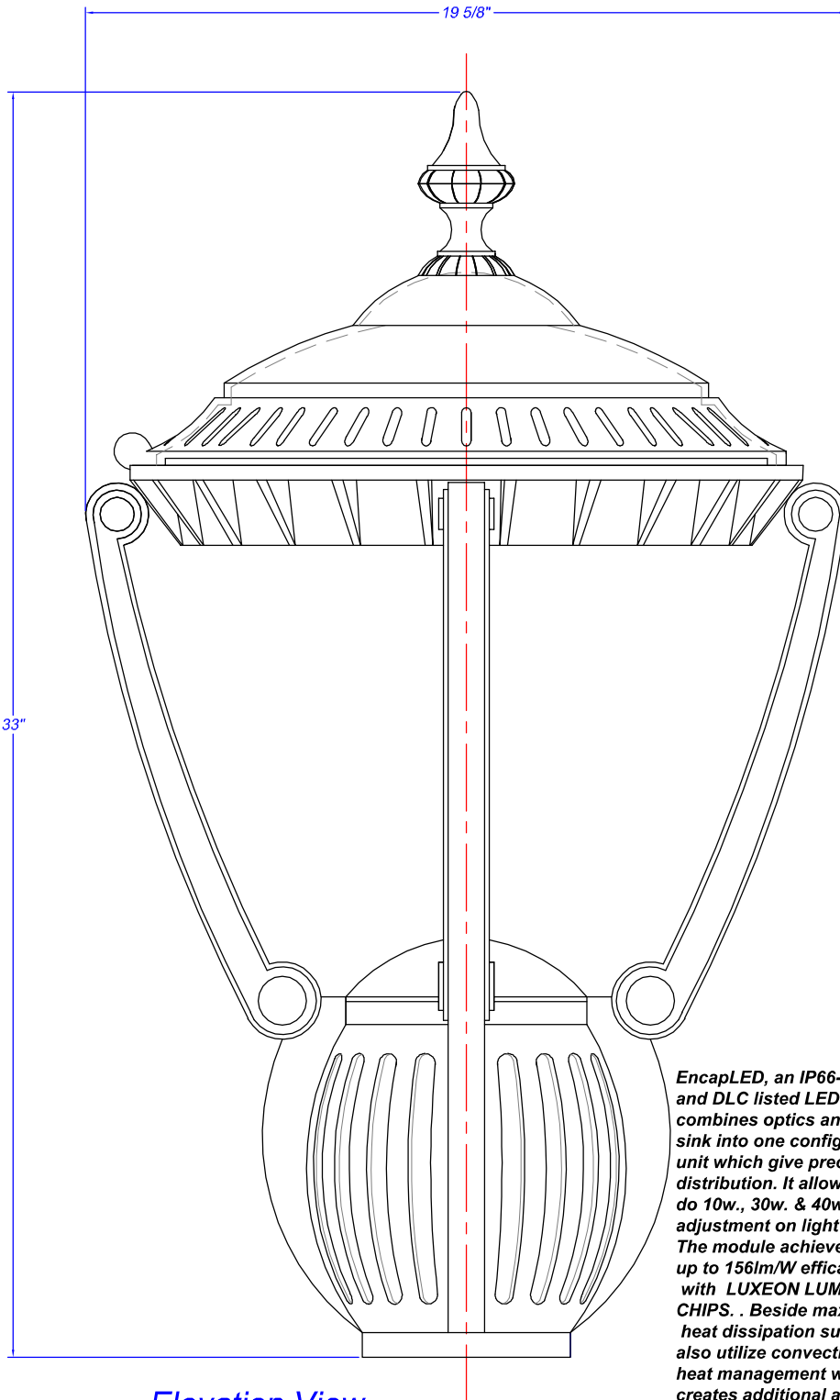
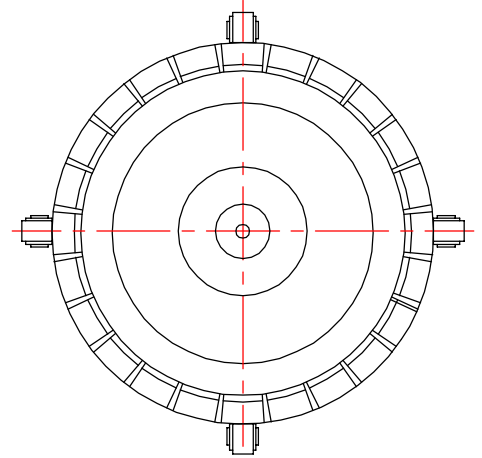


# Florence Post Top Lantern



Elevation View



Plan View -Top

**Order example:**  
To order a 70w. LED 120-277v-3000K type V post top fixture in a dark bronze finish, specify the following catalog number:  
**FLO-10-70w. LED-7-3K-V-PT-DB**



*EncapLED, an IP66-rated and DLC listed LED module, combines optics and heat sink into one configurable unit which give precise light distribution. It allows us to do 10w., 30w. & 40w. increment adjustment on light output. The module achieves up to 156lm/W efficacy with with LUXEON LUMILEDS TX CHIPS. . Beside maximizing heat dissipation surface, we also utilize convection-based heat management which creates additional air flow around each chip. Unlike a big metal heat sink where the temperature for the chips in the middle is higher than the rest, the heat of each EncapLED chip gets dissipated evenly. This innovative heat dissipation design keeps the junction temperature low and ultimately prolongs the life of the LED chips. Our modules are available in any of our fixtures designs, as well as in a simple retro-fit kit form for existing fixtures.*



*Patent pending LED plate & modules. Up to 156 lumens per watt. Available in wattages from 20-200w., 3000, 4000 & 5000K.*

**Product description and specifications:**

*Fixture Housing - The Housing is ultra-thick, heavy duty cast aluminum with a cast decorative finial on top.  
Size 10 = 19-5/8" dia. X 33". - Max. Wattage = 200w. LED- no lens required.  
LED: Philips Luxeon Lumileds TX chips.  
Reflector - LED type II, III, IV & V  
Kelvin temperature options: 3000, 4000 & 5000K  
Finish - The finish is thermoset polyester over-baked powder coat textured finish. Specify the color of your choice.*