

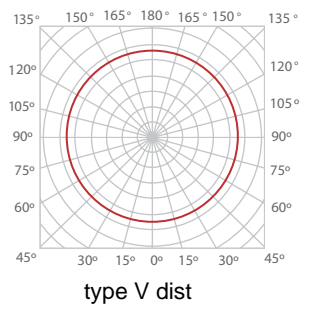
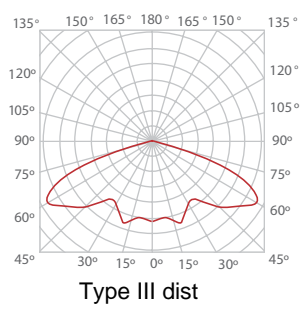
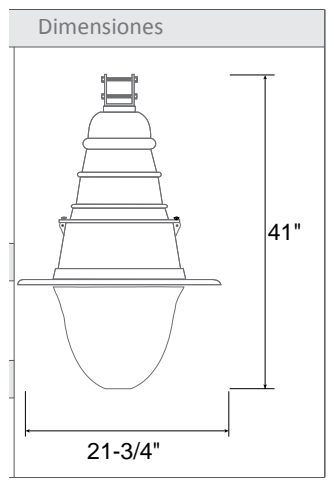
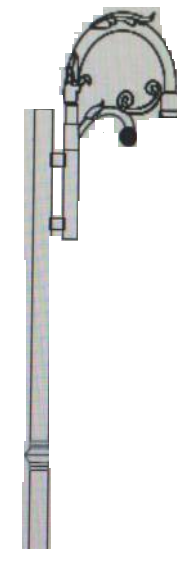
Please use the following catalog numbers to specify this product:
 single head = A,
 dbl 180 = B:
 3 = type 3, 5 = type 5.
 Please specify wattage, ETC.
 Example only:
 LED:
 PFO-10-80w. LED-7-4K-3/5-A/B-
 color-P-4R-A-8-20-ABXX/
 PFO-TN

HID:
 PFO-10-N2-7-L-3/5-A/B
 color-P-4R-A-8-20-ABXX/
 PFO-TN

Portofino



Specifications:
Fixture Housing - The Housing is ultra-thick, heavy duty cast aluminum with spun aluminum shade. Size 10 = 21-3/4" dia. X 41" h. Max. LED Wattage = 120w.
Lens - Teardrop refractive lens.
Lexalite model 120 available in type III & V LED components - EncapLED, an IP66-rated and DLC listed LED module, combines optics and heat sink into one configurable unit which give precise light distribution. It allows us to do 10w., 30w. & 40w. increment adjustment on light output. The module achieves 115lm/W efficacy with with LUXEON LUMILEDS TX CHIPS. . Beside maximizing heat dissipation surface, we also utilize convection-based heat management which creates additional air flow around each chip. Unlike a big metal heat sink where the temperature for the chips in the middle is higher than the rest, the heat of each EncapLED chip gets dissipated evenly. This innovative heat dissipation design keeps the junction temperature low and ultimately prolongs the life of the LED chips. Our modules are available in any of our fixtures designs, as well as in a simple retro-fit kit form for existing fixtures.
 Also available in HID, PSMH & HPS. Max. wattage = 250w.
Decorative mounting arms - aluminum tubing with cast aluminum decorative components, creating a beautiful, historic, old world look.
Poles - 20' x 4" od .188 wall (3/16" thick) heavy duty aluminum tubing with (2) decorative elements welded on to further enhance the old world styling. The pole shaft is welded to a decorative, heavy wall decorative cast aluminum base.
 Included with each pole is a hand hole with cover, a ground lug and (4) 3/4" dia. hot dipped galvanized steel anchor bolts with (2) nuts & (2) washers each.



Decorative, scrolled mounting arms available in any of the following mounting configurations: Single, Double 90 & 180, triple 90 & 120 & quad. Shown below in a double 180 configuration.



Decorative Cast aluminum base