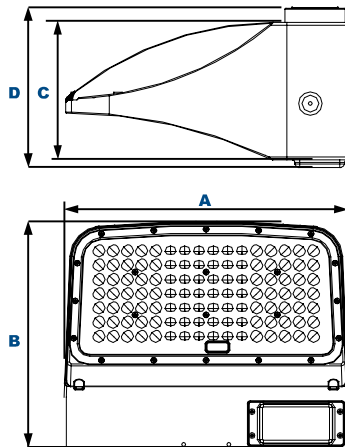


WPC45Q

L70
25°C

646,000 Hours

EasyLED PowerPack Full Cutoff Wall Mount



Dimensions

Width (A)	15" (380mm)
Length (B)	12" (302mm)
Height 1 (C)	5 7/8" (146mm)
Height 2 (D)	6" (154mm)

The Bieber WPC45Q PowerPack full cutoff wall luminaire is available in three wattages with a specially designed Type IV wide forward throw optical distribution that is designed to replace HID lighting systems of 175W, 250W or 400W MH or HPS. The 174 watt version can replace 400W MH units on a 2-1 basis, with an increased mounting height to dramatically lower energy costs. Typical wall mounted lighting applications include retail centers, industrial parks, schools and universities, public transit and airports, office buildings and medical facilities. Mounting heights of 18 to 35 feet can be used based on light level and uniformity requirements.

Specifications and Features:

Housing:

Die Cast Aluminum Housing with Full Cutoff Front Frame, Integral Heat Sinking and Driver Compartment, Polycarbonate Vandal-Resistant Lens Area on Housing for Use with Microwave Sensors. Twist-Lock Photocell/Smart Controls Adaptable. Nickel-Plated Stainless Steel Hardware.

Listing & Ratings:

CSA: Listed for Wet Locations, ANSI/UL 1598, 8750
IP66 Sealed LED Compartment.

Finish:

Textured Architectural Bronze Powdercoat Finish Over a Chromate Conversion Coating. Custom Colors Available Upon Request.

Lens:

Clear One-Piece Molded Type IV Polycarbonate Lens.

Mounting Options:

Mount Directly Over a 4" Recessed Outlet Box, Includes Easy-Hang "Two Hands Free" Wall Mounting Bracket with Built-In Level. Optional Trim Plate is Available for Use in Retrofit Applications to Cover Wall Surface Blemishes.

EasyLED LED:

Aluminum Boards

Wattage:

81w: Array: 80.8w, System: 92.8w (175w HID Equivalent)
112w: Array: 111.9w, System: 131w (250w HID Equivalent)
174w: Array: 174.1w, System: 187.5w (400w HID Equivalent)

Driver:

Electronic Driver, 120-277V, 50/60Hz, Dimmable Driver.

Warranty:

5-Year Warranty for -40°C to +50°C Environment.

See Page 2 for Projected Lumen Maintenance Table.

Order Information Example:

WPC45QD1X174U5KCZSP

WPC45Q	D		U		C		
Model	Optics	Wattage	Driver	CCT	Lens	Color	Options
WPC45Q= EasyLED PowerPack Wall Mount	D=Type IV	1X81=81w 1X112=112w 1X174=174w	U=120-277V	4K=4000K 5K=5000K	C=Clear Molded Polycarbonate Lens	Z=Bronze C=Custom (Consult Factory)	SF=Single Fuse DF=Double Fuse SP=Surge Protection R3=3-Pin Twist Lock Photocell Receptacle R7=7-Pin ANSI C136.41—2013 Twist Lock Photocell Receptacle with P18132 Shorting Cap S2=Internal Microwave Sensor with Dimming for Mounting Heights of 35' or Less

Project Information:

Project Name: _____ Fixture Type: _____

Complete Catalog #: _____ Date: _____

Comments: _____

Certification & Listings:



Accessories & Replacement Parts:



WPC45TPZ*

*Shown Mounted.

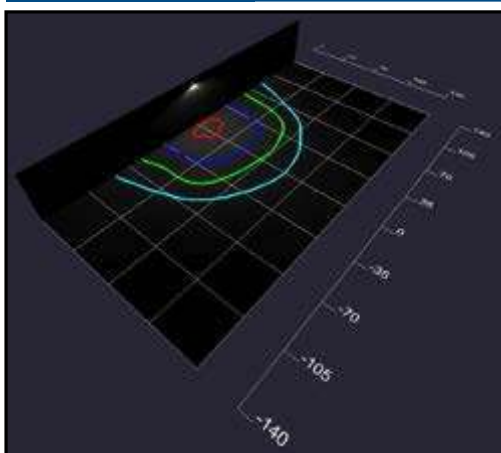
**Accessories
(Order separately, Field installed)**

P18140	110-120VAC Instant Twist Lock Photocell
P18142	105-287VAC Instant Twist Lock Photocell
P18150	120VAC Time Delay Twist Lock Photocell
P18152	277VAC Time Delay Twist Lock Photocell
P18131	Twist Lock Non-Shorting (Open) Cap Disconnects Service to Fixture for Temporary or Permanent Disabling (Fixture Always Off). IP65, 480V Maximum.
P18132	Twist Lock Shorting Cap Provides Fixed Service to Fixture (Fixture Always on). IP65, Rated Load 7200w Tungsten.
WPC45TPZ	Aluminum Trim Plate, Bronze Powdercoat Finish

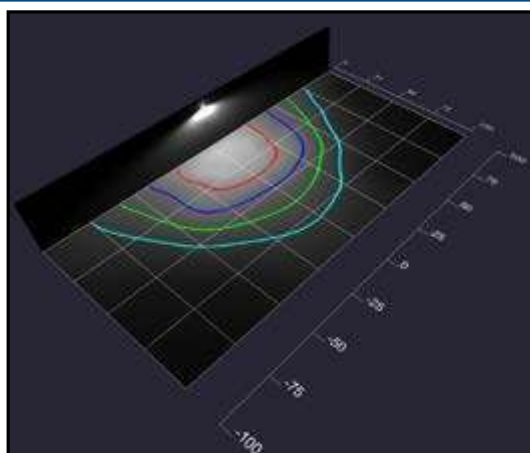
**Replacement Parts
(Order separately, Field installed)**

P17117	Microwave Sensor with Dimming (Internal), for Mounting Heights of 35ft or Less. 120-277VAC, 50/60Hz
--------	---

Photometric Data



WPC45QD1X174U5K
Type IV
 Grid in MH
 MH=35 Feet



WPC45QD1X174U5K
Type IV
 Grid in MH
 MH=25 Feet

Photometric Performance

LED Board Watts	Drive Current (mA)	Input Watts	Optics	5000 CCT 80 CRI					4000 CCT 80 CRI				
				Lumens	LPW	B	U	G	Lumens	LPW	B	U	G
EasyLED 81w	525	93	Type IV	10,402	112	3	3	3	9,700	104	3	3	3
EasyLED 112w		131		14,689	112	3	3	3	13,697	105	3	3	3
EasyLED 174w		188		21,374	114	3	3	3	19,931	106	3	3	3

Projected Lumen Maintenance

Data shown for 5000 CCT			Compare to MH				
TM-21-11	Input Watts	Initial	25,000 Hrs	50,000 Hrs	100,000 Hrs	Calculated L70@ 25°C	
L70 Lumen Maintenance @ 25°C / 77°F	188	1.00	0.99	0.98	0.95	646,000	
TM-21-11	Input Watts	Initial	25,000 Hrs	50,000 Hrs	100,000 Hrs	Calculated L70@ 50°C	
L70 Lumen Maintenance @ 50°C / 122°F	188	1.00	0.98	0.97	0.93	455,000	
TM-21-11	Input Watts	Initial	25,000 Hrs	50,000 Hrs	100,000 Hrs	Calculated L80@ 40°C	
L80 Lumen Maintenance @ 40°C / 104°F	188	1.00	0.98	0.97	0.94	320,000	

NOTES:

1. Projected per IESNA TM-21-11. Data references the extrapolated performance projections for the 525mA base model in a 25°C ambient, based on 10,000 hours of LED testing per IESNA LM-80-08.
 2. Compare to MH box indicates suggested Light Loss Factor (LLF) to be used when comparing to Metal Halide (MH) systems.